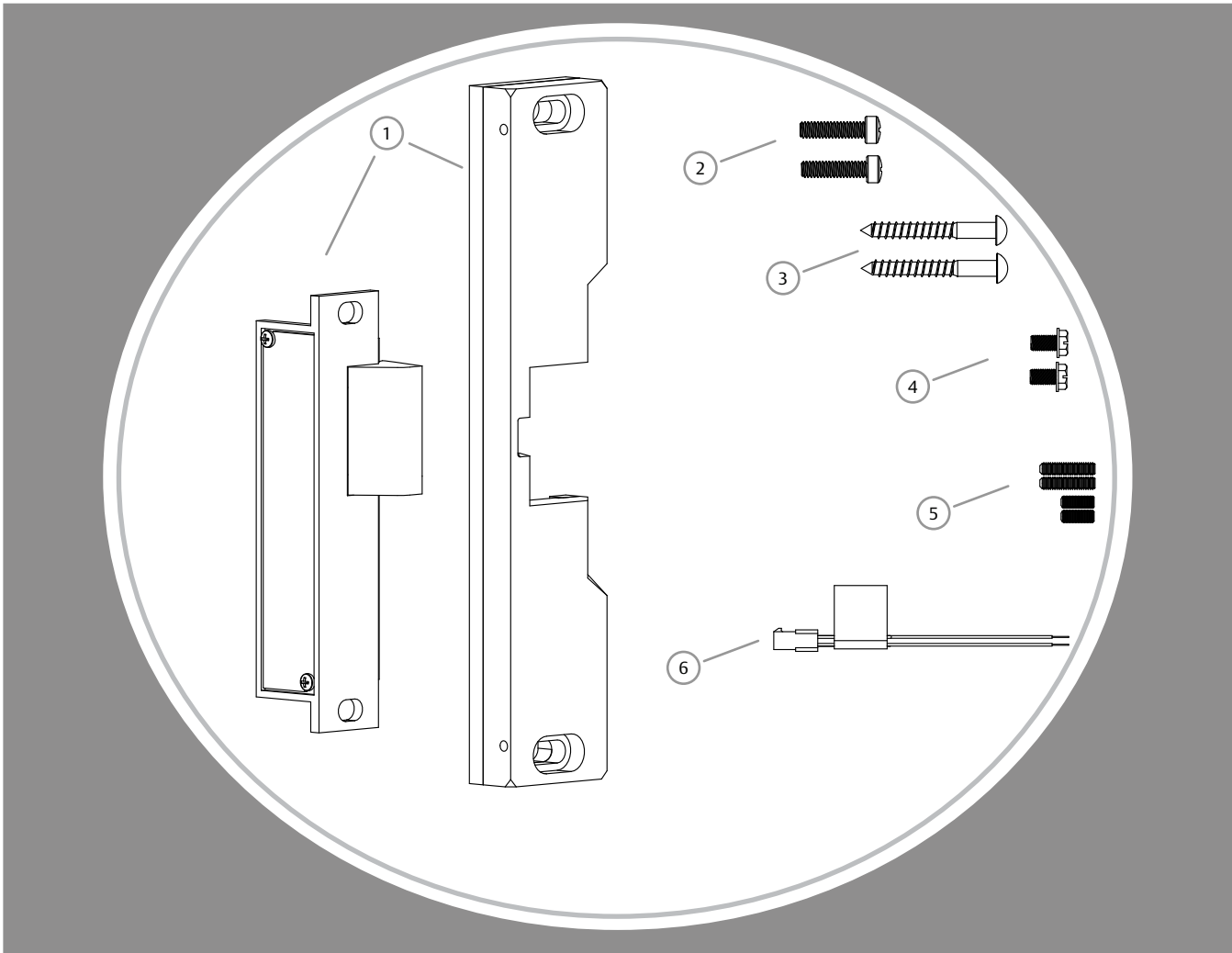


## Product Components

- ① Electric Strike Body & Faceplate
- ② #1/4-20 x 1" Faceplate Mounting Screws
- ③ #14-2" Wood Screw
- ④ #12-24 Body Mounting Screws
- ⑤ #8-32 x 3/8" & 3/4" setscrew
- ⑥ Plug In Connector



### Electrical Specifications

ELECTRICAL RATINGS FOR SOLENOID		
CONTINUOUS DUTY	12VDC	24VDC
Resistance in Ohms	23.5	96
Amps	.51	.25
Solenoids are rated at +/- 10% indicated value.		

MINIMUM WIRE GAUGE REQUIREMENTS		
SOLENOID VOLTAGE	12VDC	24VDC
200 feet or less	18 gauge	18 gauge
200 - 300 feet	16 gauge	18 gauge
300 - 400 feet	14 gauge	16 gauge

# Installation Directions

**CAUTION!** Before connecting any device at the installation site, verify input voltage using a multimeter. Many power supplies and low voltage transformers operate at higher levels than listed. Any input voltage exceeding 10% of the solenoid rating may cause severe damage to the unit and will void the warranty.

## Prepare Strike

1. Attach the faceplate to the strike body using the #12-24 Body Mounting screws as illustrated on page 3, Diagram 2.
2. If using the LCBMA (Latchbolt & Locking Cam Monitor), see Diagram 1 for wiring instructions.
3. The strike body ships as either a 12 or 24 volt unit and is not field selectable. Verify the available voltage is +/- 10% of the rated voltage of the strike body.

## Prepare Frame

4. Prepare frame using the template on page 4.
5. Test fit the electric strike in the door frame. If it is found that there is not enough clearance between the exit device and the door strike, the Spacer Plate can be removed as illustrated in Diagram 3, Page 3.

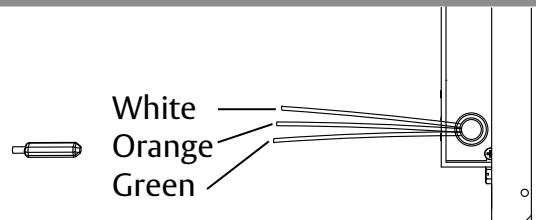
## Finish Installing

6. Connect the Plug in Connector to the electric strike, and connect wires from the Plug In Connector leads to the power source.
7. Install the electric strike unit in jamb cutout, using the #1/4-20 x1 faceplate mounting screws provided.
8. Adjust the strike horizontally as shown in Diagram 4, Page 3 to accommodate any door silencers or smoke seals.

## Diagram 1: Monitoring Switches

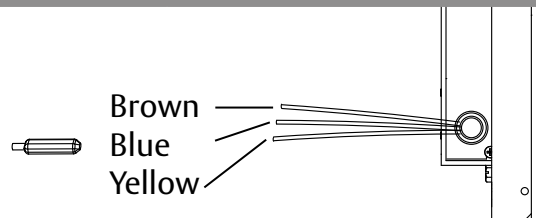
### Latchbolt Monitor (LBM)

White	Common
Orange	Normally Open
Green	Normally Closed



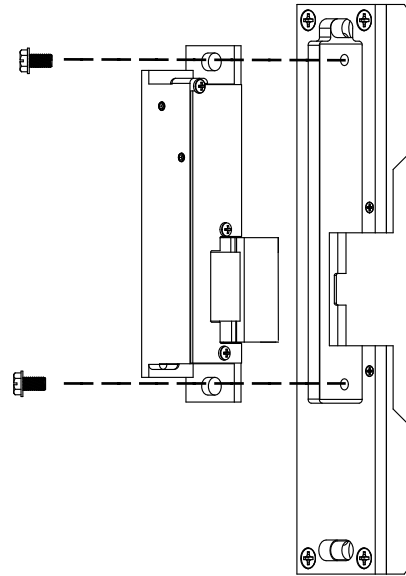
### Locking Cam Monitor (LCM)

Brown	Common
Blue	Normally Open
Yellow	Normally Closed

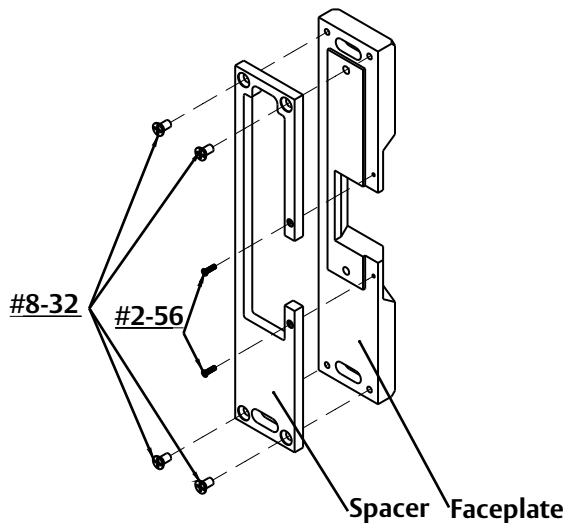


## Diagram 2: Faceplate Attachment

To install the 310 series electric strike body to the faceplate, install two #12-24 body mounting screws as shown. Make sure bolts are tightened and secured.

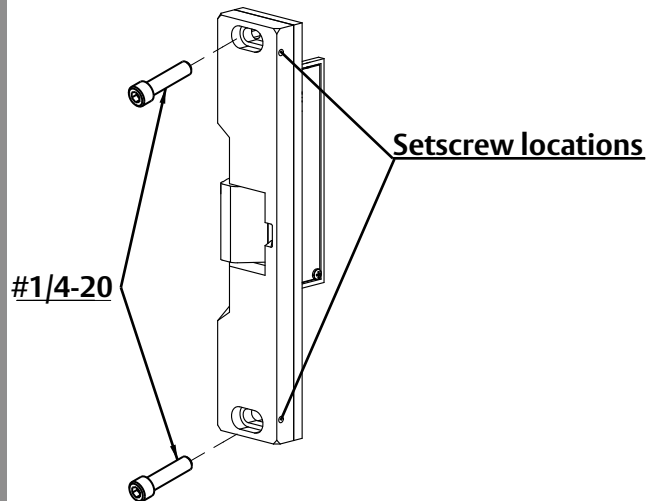


## Diagram 3: 1/4" Spacer Removal      Diagram 4: Horizontal Adjustability



A 1/4" spacer plate is preinstalled to the strike faceplate. Removal of the spacer plate will decrease the faceplate thickness from .75" to .50". To remove spacer follow these steps:

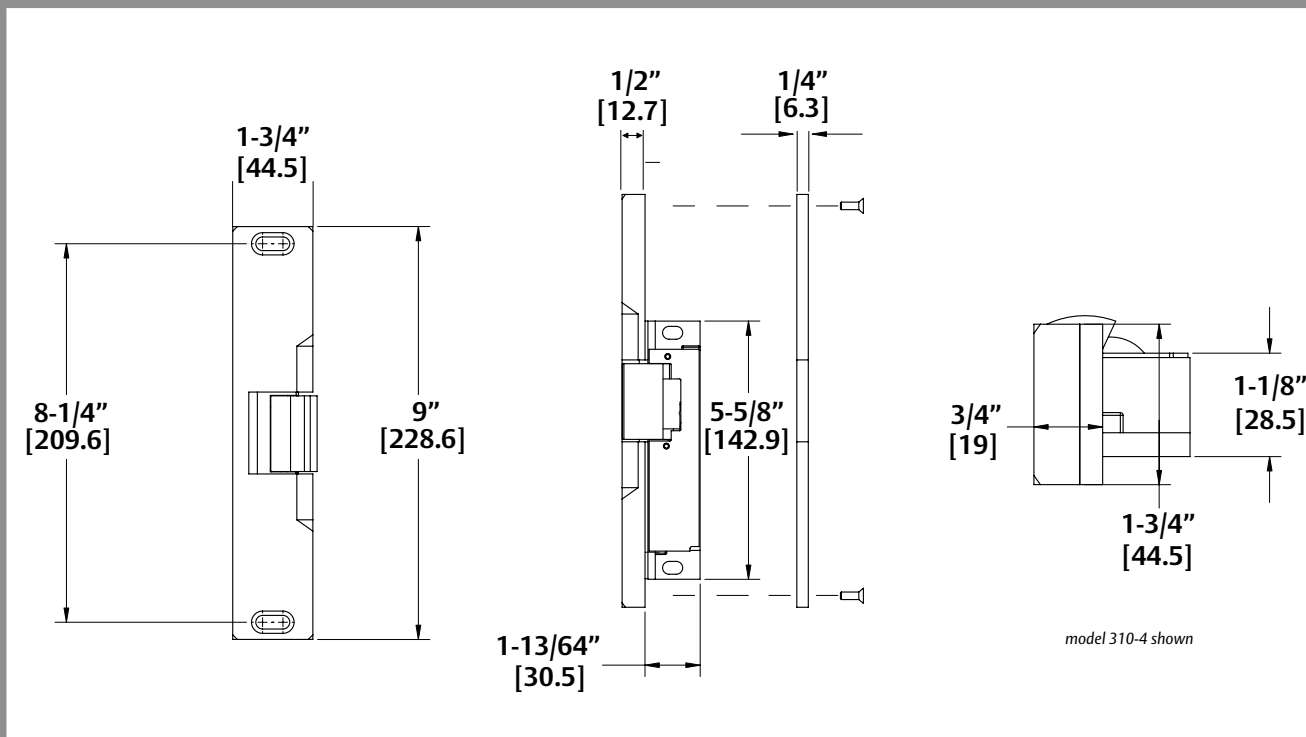
1. Remove four #8-32 screws and two #2-56 screws as shown on left.
2. Remove spacer.



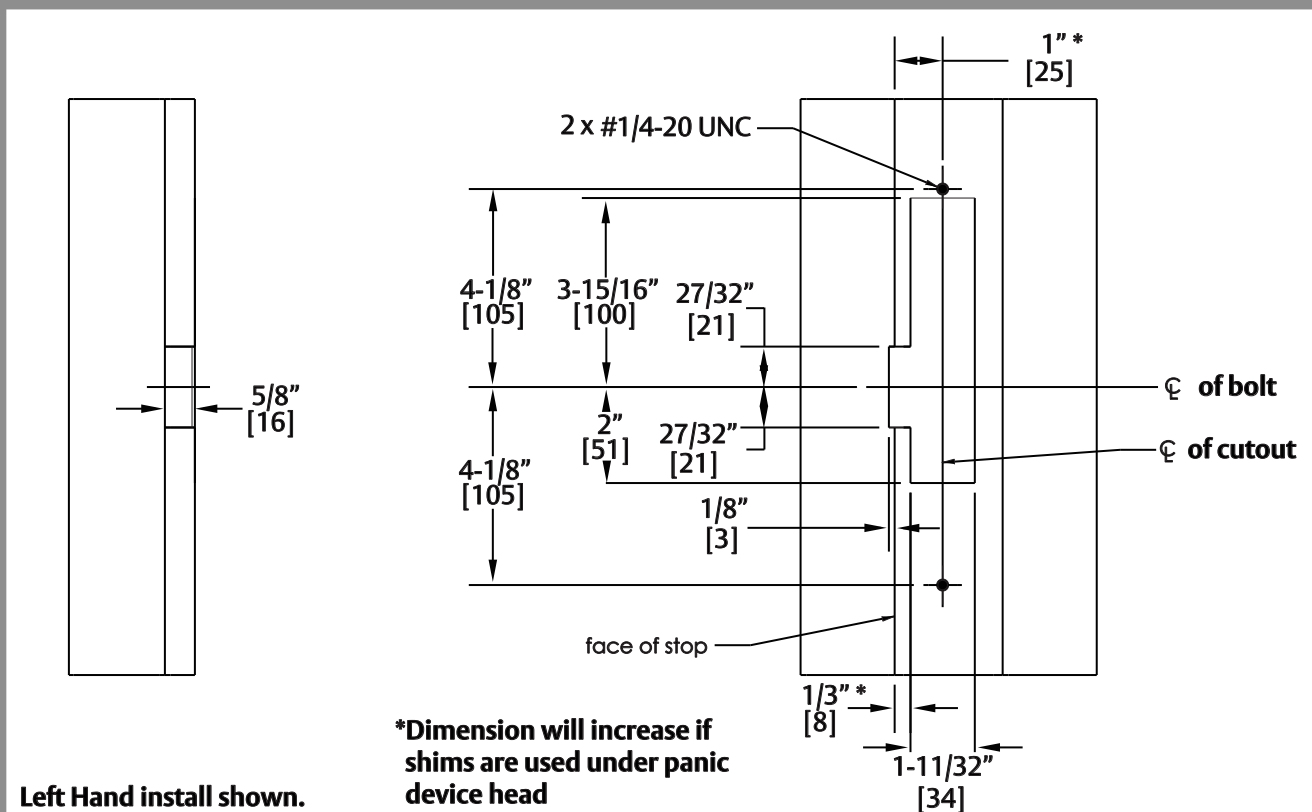
1. Loosen the two #1/4-20 faceplate mounting screws.
2. Adjust strike to appropriate horizontal position.
3. Tighten the two #1/4-20 faceplate mounting screws.
4. Lock down adjustment by installing the provided set screws.

\*A 3/8" and 3/4" setscrew are provided. Select the setscrew that will secure the #1/4-20 faceplate mounting screws, but not protrude from the strike body.

## Strike Dimensions



## Cutout Template



Left Hand install shown.

3810006.002 rev A